

1

2

3

4

Notes: (Unless Otherwise Specified)

- 1. Waterproof Rate: IP68.
- 2. Recommend Cover Torque: 9 to 10 kgf-cm.
- 3. Recommend Gland Nut Torque: 15 to 20 kgf-cm.
- 4. Suitable Cable OD= 8.0 mm to 12.5 mm.
- 5. Wire Range Is 16~12AWG.
- 6. RoHS Compliant.
- 7. 產品採用無Logo PE袋單PCS包裝; 並將標籤貼於袋外.

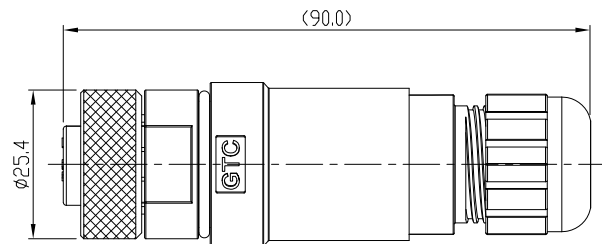
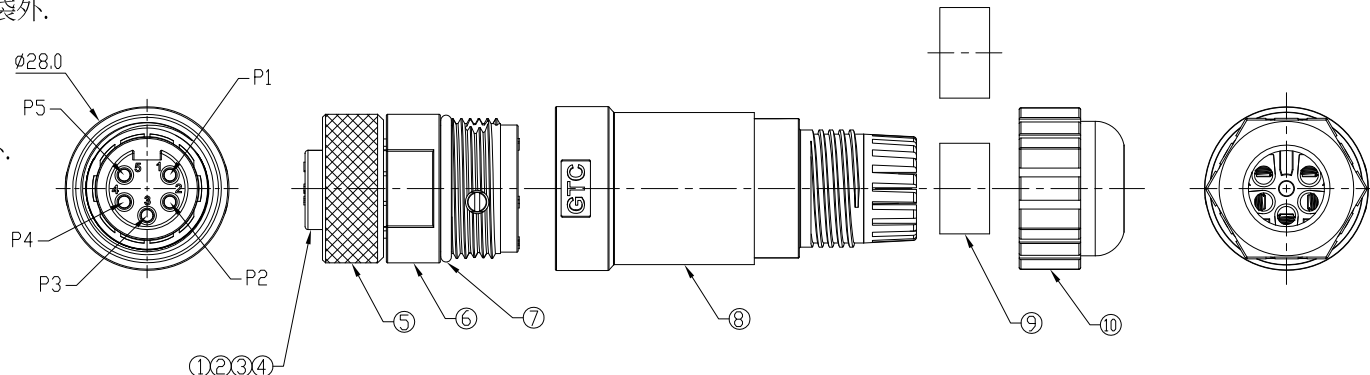
RR-272244-32050\_REV:XX\_QTY:1PCS  
**LOT: XXXX**  
**Made in China**

- 8. 每25PCS產品再用防水袋包裝; 並將標籤貼於袋外.

RR-272244-32050\_REV:XX\_QTY:25PCS  
**LOT: XXXX**  
**Made in China**

- 9. 標籤上的REV:請依照成品圖面版本.

| REV | ECN#       | DESCRIPTION OF REVISION     | DRAW BY DATE      | CHECK BY DATE     | APPROVE BY DATE |
|-----|------------|-----------------------------|-------------------|-------------------|-----------------|
| A1  | ECN-210717 | Housing Material PUR => PVC | Joyce<br>07/23/21 | Lucas<br>07/23/21 | Ray<br>07/23/21 |



| 5    | Screw Nut | Copper Alloy<br>Finish: Ni Plated | 1    | 10   | Gland Nut | Thermoplastic<br>Color: Black                  | 1    |
|------|-----------|-----------------------------------|------|------|-----------|--|------|
| 4    | Screw     | S15C<br>Finish: Ni Plated         | 5    | 9    | Gland     | NBR ; ID=8.5mm*1 , ID=13.0mm*1<br>Color: Black | 2    |
| 3    | Sleeve    | Copper Alloy<br>Color: Ni Plated  | 5    | 8    | Cover     | Thermoplastic<br>Color: Black                  | 1    |
| 2    | Contacts  | Copper Alloy<br>Finish: Au Plated | 5    | 7    | O-Ring    | Silicone<br>Color: Black                       | 1    |
| 1    | Housing   | PVC<br>Color: Black               | 1    | 6    | Base      | Thermoplastic<br>Color: Black                  | 1    |
| Item | Part Name | Material / Finish                 | Q'ty | Item | Part Name | Material / Finish                              | Q'ty |



| TITLE  |      |       |                |                |                | DRAWING NUMBER          |                             |      | REV.  |  |
|--|------|-------|----------------|----------------|----------------|-------------------------|-----------------------------|------|-------|--|
| Mini 8A 5P Field Installable Cable End Female Screw-In |      |       |                |                |                | RR-272244-32050         |                             |      | A1    |  |
|  | B    | 1:1   | Jenny 03/29/21 | Lucas 03/29/21 | Ray 03/29/21   | X.X ± 0.5<br>X.XX ± 0.2 | X.XXX ± 0.05<br>ANGLES ± 1° | mm   | 1/1   |  |
| THIRD ANGLE PROJECTION                                 | SIZE | SCALE | DRAW / DATE    | CHECK / DATE   | APPROVE / DATE | TOLERANCES              |                             | UNIT | SHEET |  |

**USB FIREWIRE.com**  
THE INFORMATION CONTAINED HEREIN IS THE PROPRIETARY INFORMATION OF RR BUSINESS VENTURES, LLC. THE POSSESSOR AGREES TO THE FOLLOWING  
 1. MAINTAIN THIS DOCUMENT IN CONFIDENCE  
 2. NOT TO REPRODUCE OR COPY IT  
 3. NOT TO REVEAL OR PUBLISH IT IN WHOLE OR IN PART  
COPYRIGHT © 2019

1

2

3

4