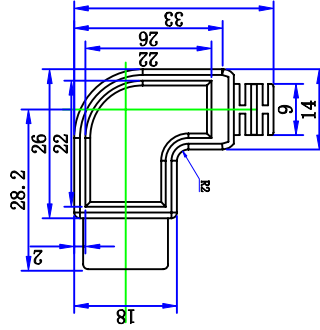
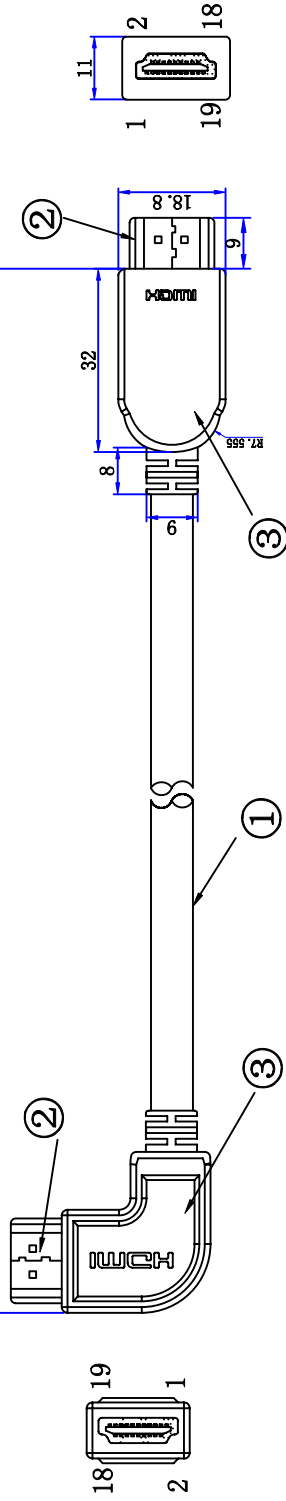
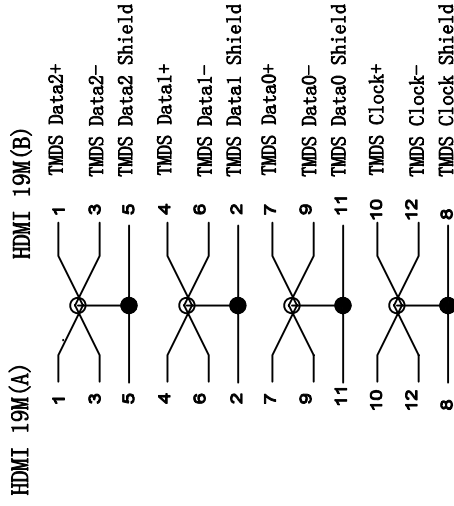


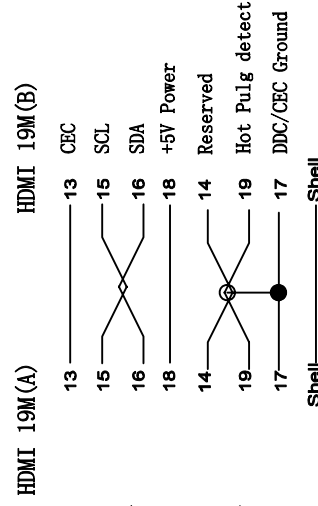
12in/24in/6ft/20ft



PIN ASSIGNMENT



PIN ASSIGNMENT



ROHS Compliant

		THE INFORMATION CONTAINED HEREIN IS THE PROPRIETARY INFORMATION OF USB BUS BUSINESS VENTURES, LLC. THE POSSESSOR AGREES TO MAINTAIN THIS DOCUMENT IN CONFIDENCE; NOT REPRODUCE IT OR COPY IT, AND NOT TO REVEAL OR PUBLISH IT IN WHOLE OR PART. COPYRIGHT © 2019		DRAW: CHECKED: APPROVED: DATE: 2012-09-18	Tolerance Unless Otherwise Specified UP TO 5 ±0.2 ABOVE 5 --30 ±0.3 ABOVE 30--50 ±0.4 ABOVE 50 ±0.5	TITLE PART NO. DRAW NO.	HDMI AM TO AM RR-3L-3S-XXG
3	65P Black PVC HDMI AM, BLACK INSULATION, SHELL 3U" GOLD PLATED WITH SOLDER (P/N YQT-HAM3)						
2	(1P*30AWG+D+AL)*5C+4C*30AWG+AL+D+B OD7.3 L=12in/24in/6ft/20ft Black						
NO	Description		Q'TY Unit	ANGLE ±3°	SCALE 1:1	UNIT mm	