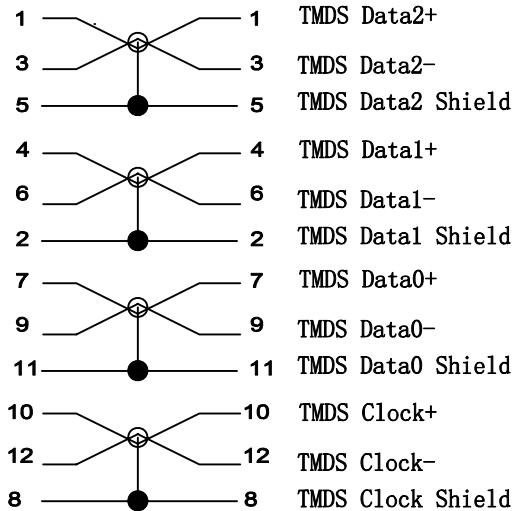


PIN ASSIGNMENT

HDMI 19M(A)

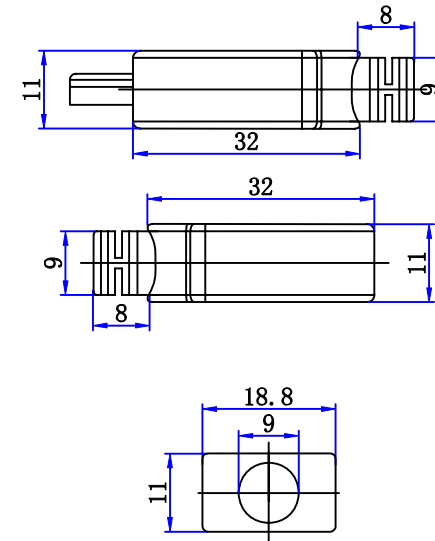
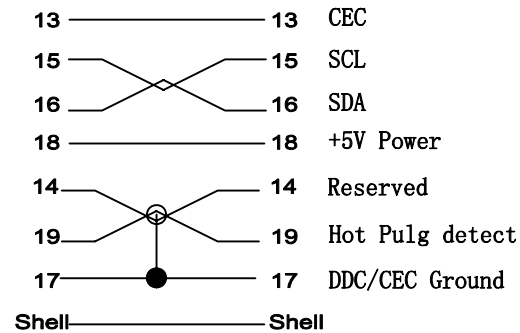
HDMI 19M(B)



PIN ASSIGNMENT

HDMI 19M(A)

HDMI 19M(B)



ROHS Compliant

ELECTRICAL CHARACTER:

- a. 100% OPEN & SHORT TESTING;
- b. WITHSTANDING VOLTAGE:DC 300V 0.01Sec;
- c. INSULATION RESISTANCE:5M Ohm(Min);
- d. CONDUCTIVE RESISTANCE:3 Ohm(Max)

www.USBFireWire.com											
4	65P Black PVC										
3	HDMI AF, BLACK INSULATION, SHELL 3U" GOLD PLATED WITH SOLDER(P/N YQT-HAF3)				Tolerance, Unless Otherwise Specified	DRAW:		TITLE	HDMI AM TO AF		
2	HDMI AM, BLACK INSULATION, SHELL 3U" GOLD PLATED WITH SOLDER(P/N YQT-HAM3)				UP TO 5 ±0.2	CHECKED:		PART NO.	RR-3S-3F-XXG		
1	(1P*30AWG+D+AL)*5C+4C*30AWG+AL+D+B OD7.3 L=5in/12in/24in/6ft Black				ABOVE 5 --30 ±0.3	APPROVED:		DRAW NO.			
					ABOVE 30--50 ±0.4	DATE	2012-09-18	SCALE	1:1	UNIT	mm
NO	Descriptron	Q' TY	Unit	ANGLE	±0.5						
					±3°						