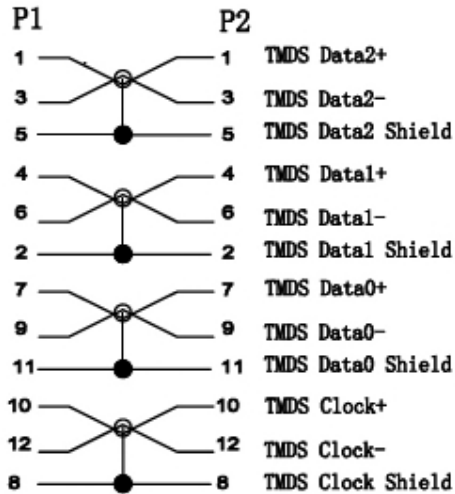
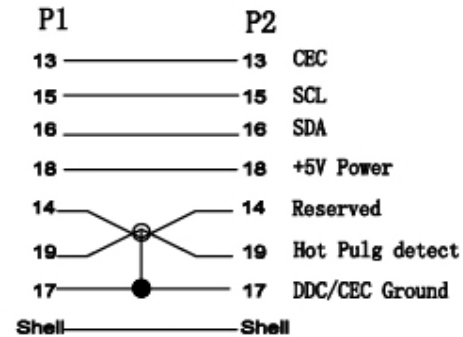



**PIN ASSIGNMENT**



**PIN ASSIGNMENT**



ROHS Compliant

7						 <small>THE INFORMATION CONTAINED HEREIN IS THE PROPRIETARY INFORMATION OF RR BUSINESS VENTURES, LLC. THE POSSESSOR AGREES TO MAINTAIN THIS DOCUMENT IN CONFIDENCE; NOT REPRODUCE IT OR COPY IT, AND NOT TO REVEAL OR PUBLISH IT IN WHOLE OR PART. COPYRIGHT © 2019</small>
6						
5						
4						
3	65P Black PVC					<b>TOLERANCE OTHERWISE UNLESS SPECIFIED</b> UP TO 5 ±0.2 ABOVE 5 —30 ±0.3 ABOVE 30 —50 ±0.4 ABOVE 50 ±0.5
2	HDMI AM, BLACK INSULATION, SHELL 3U" GOLD PLATED WITH SOLDER (P/N YQT-HAM3)					<b>DRAW:</b>  <b>CHECKED:</b>  <b>APPROVED:</b>
1	(1P*30AWG+D+AL)*5C+4C*30AWG+AL+D+B OD7.3					<b>TITLE</b> HDMI AM TO AM  <b>PART NO.</b> RR-3S-3S-XXG  <b>DRAW NO.</b>
NO	Description	Q' TY	Unit	ANGLE	DATE	<b>SCALE</b> 1:1 <b>UNIT</b> mm 2013-8-16