

1

2

3

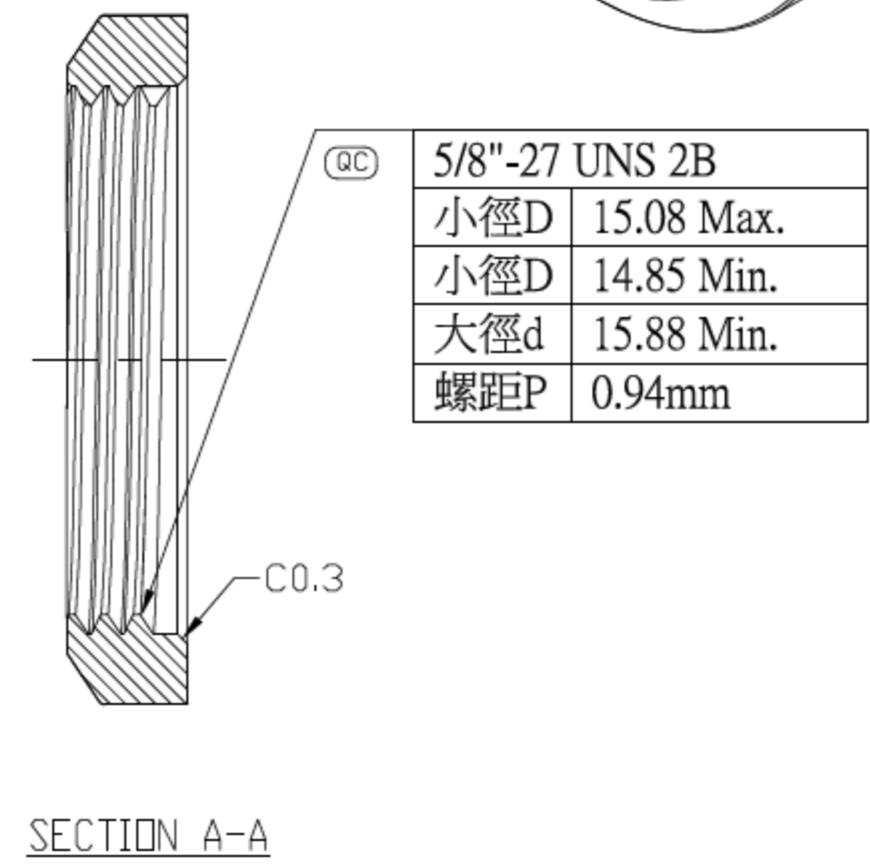
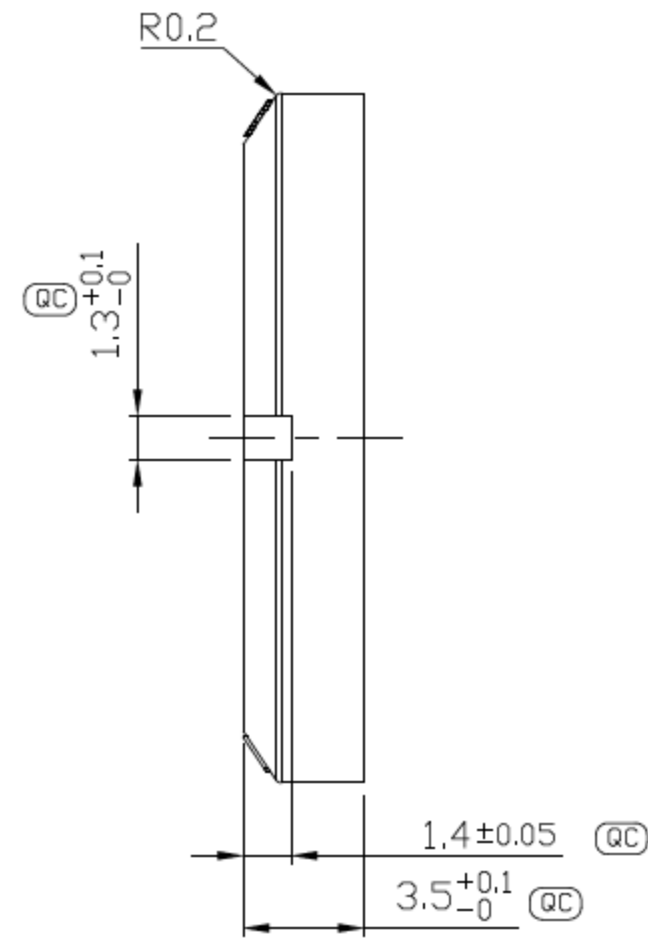
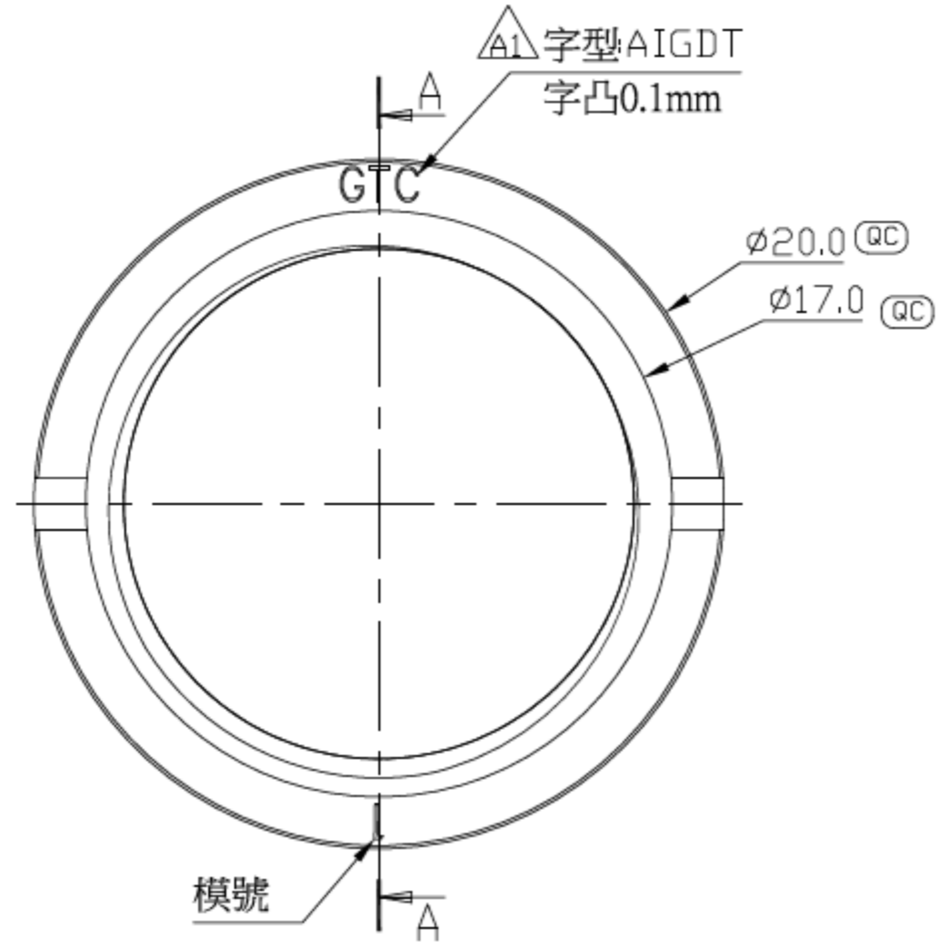
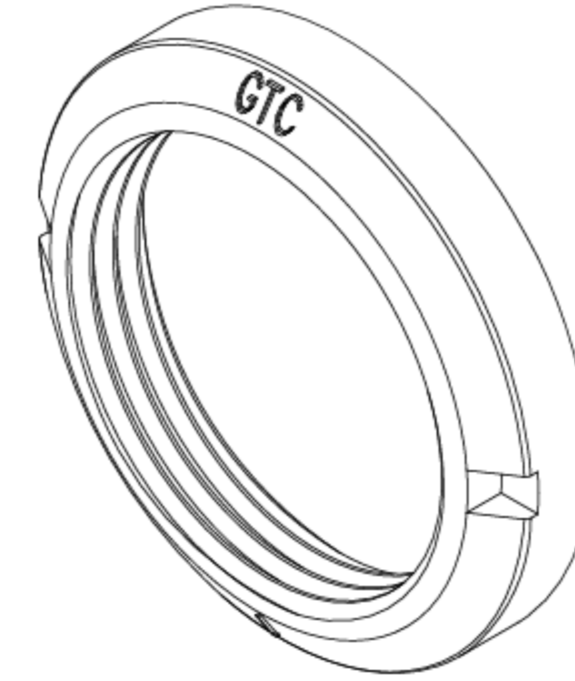
4

NOTE:

- 1.材質:Nylon66+30%GF, 顏色:黑色
- 2.表面不得有縮水,水紋等情形.
- 3.注意毛邊不可大於0.1mm.中心偏差度不可大於0.1mm.
- 4.重點管制尺寸 (QC)
- 5.模號不能刻在頂針上.
- 6.未標注之R角不能超過0.1mm.
- 7.未標註尺寸依3D尺寸為主.
- 8.拔模角不能超過0.5°.
- 9.PL面不可在最上端.
- 10.必需符合RoHS.

REV	ECN#	DESCRIPTION OF REVISION	DRAW BY DATE	CHECK BY DATE	APPVD BY DATE
A0		Mass Production	Lucas 07/13/11	Ray 07/13/11	Ray 07/13/11
A1	ECN-110805	Add GTC Logo	Vicky 09/08/11	Lucas 09/08/11	Ray 09/08/11

DOC.CENTER.ISSUE
SEP.08.2011
ONLY FOR RELEASE
CONFIDENTIAL



www.USBFireWire.com

NOTICE OF PROPRIETARY PROPERTY:
THE INFORMATION CONTAINED HEREIN IS THE PROPRIETARY PROPERTY OF GT Contact CO.,LTD THE POSSESSOR AGREES TO THE FOLLOWING:
(I) TO MAINTAIN THIS DOCUMENT IN CONFIDENCE
(II) NOT TO REPRODUCE OR COPY IT
(III) NOT TO REVEAL OR PUBLISH IT IN WHOLE OR PART
(IV) ALL RIGHTS RESERVED

TITLE C2 Spanner Nut			DRAWING NUMBER RR-66152-00030			REV. A1	
	N/A	Vicky 05/25/11	Lucas 05/25/11	Ray 05/25/11	ALL ± 0.1 ANGLES ± 1°	mm	1/1
THIRD ANGLE PROJECTION	SCALE	DRAFTER / DATE	CHECK / DATE	APPROVE / DATE	TOLERANCES	UNIT	SHEET

1

2

3

4