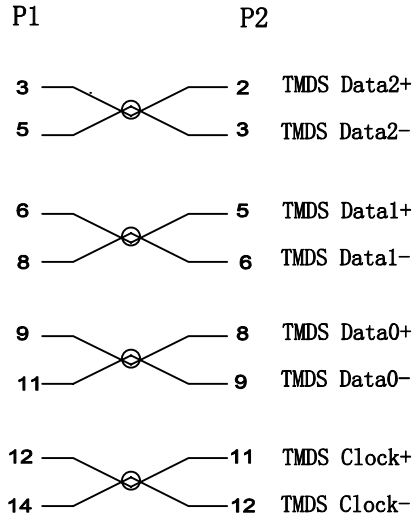


ROHS Compliant

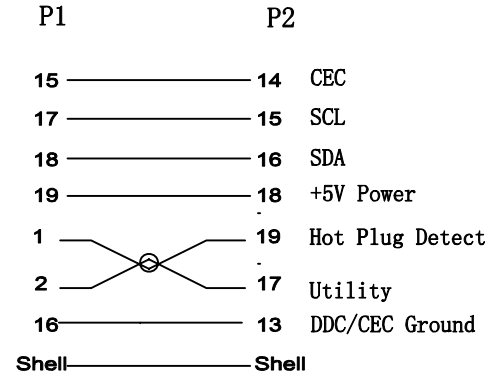
ELECTRICAL CHARACTER:

- a. 100% OPEN & SHORT TESTING;
- b. WITHSTANDING VOLTAGE:DC 300V 0.01Sec;
- c. INSULATION RESISTANCE:5M Ohm (Min) ;
- d. CONDUCTIVE RESISTANCE:3 Ohm (Max)

PIN ASSIGNMENT



PIN ASSIGNMENT



						THE INFORMATION CONTAINED HEREIN IS THE PROPRIETARY INFORMATION OF RR BUSINESS VENTURES, LLC. THE POSSESSOR AGREES TO MAINTAIN THIS DOCUMENT IN CONFIDENCE; NOT REPRODUCE IT OR COPY IT, AND NOT TO REVEAL OR PUBLISH IT IN WHOLE OR PART. COPYRIGHT © 2019						
4	65P Black PVC					Tolerance, Unless Otherwise Specified	DRAW:		TITLE	HDMI CM TO DM		
3	HDMI CM,BLACK INSULATION,SHELL 3U" GOLD PLATED WITH SOLDER(P/N YQT-HCM3)						UP TO 5	±0.2	CHECKED:		PART NO.	RR-7L-5S-XXGX
2	HDMI DM,BLACK INSULATION,SHELL 3U" GOLD PLATED WITH SOLDER(P/N YQT-HDM3)				ABOVE 5 --30	±0.3	APPROVED:		DRAW NO.			
1	(1P*30AWG+AL)*5C+5C*30AWG+AL+D+B OD4.5 L=12in/24in/6ft Black				ABOVE 30--50	±0.4						
					ABOVE 50	±0.5	DATE		SCALE	1:1	UNIT	mm
NO	Descriptron			Q' TY	Unit	ANGLE						