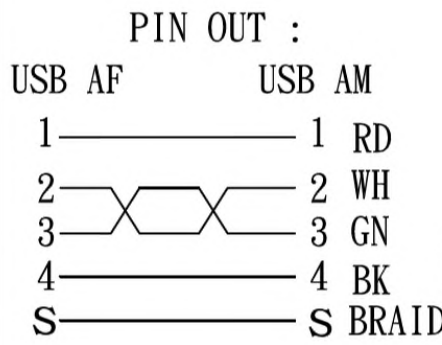
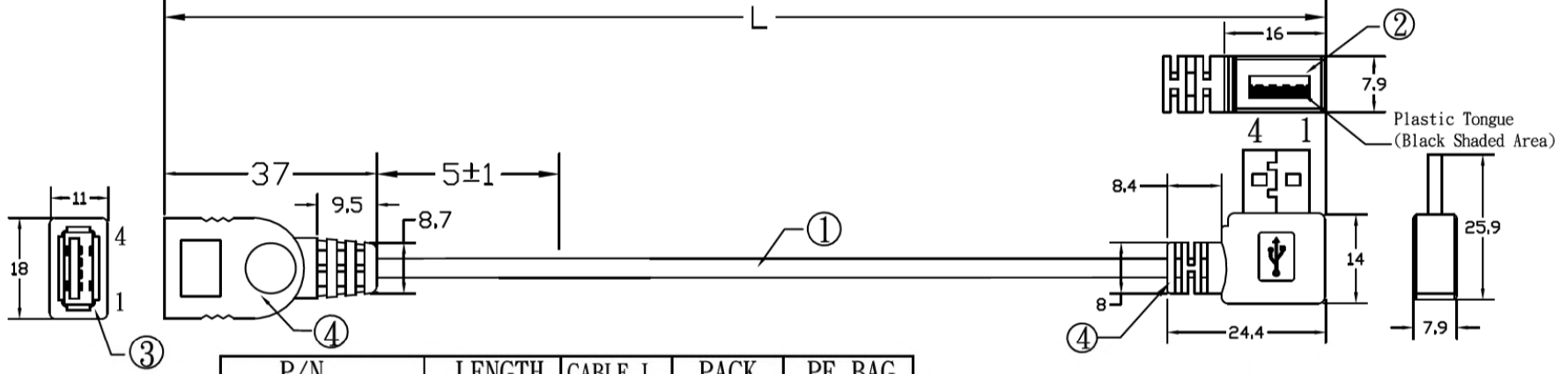
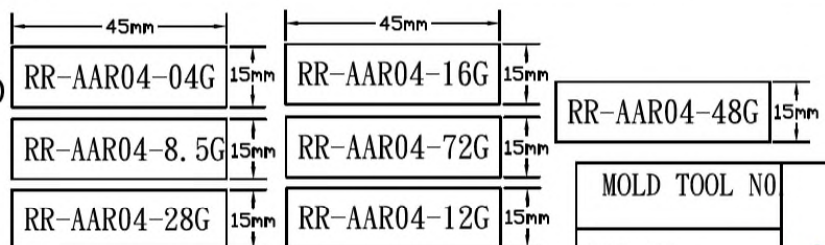
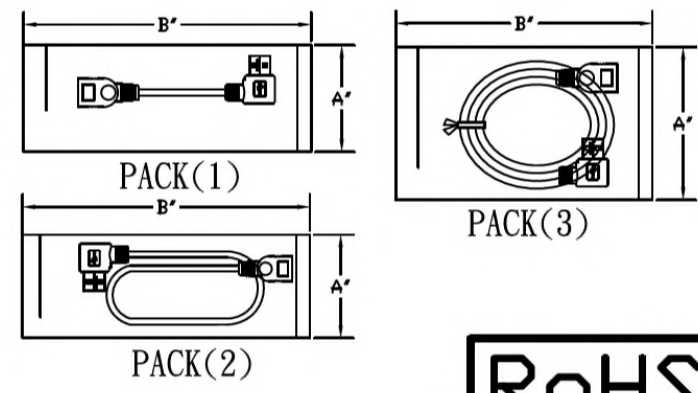


CHANGE VERSION	REMARKS	M	14/08/25	CHANGE PACKAGE	F	09/06/02	SELF REMARK	I	11/02/10	ADD P/N	
A	08/04/16	REL	D	08/07/19	SELF REMARK	G	10/06/01	ADD P/N	J	11/10/07	CHANGE CABLE
L	12/10/30	CHANGE CABLE, REMOVE STICLER	E	08/10/13	CHANGE AF SR	H	10/11/13	ADD P/N	K	12/04/11	ADD P/N



P/N	LENGTH	CABLE L	PACK	PE BAG
RR-AAR04-04G	102±10	90	(1)	06*3" *8"
RR-AAR04-8.5G	216±15	205	(2)	06*3" *8"
RR-AAR04-12G	305±15	295	(2)	06*3" *8"
RR-AAR04-16G	406±15	394	(2)	06*3" *8"
RR-AAR04-28G	710±20	700	(3)	06*5" *7"
RR-AAR04-48G	1220±30	1210	(3)	06*5" *7"
RR-AAR04-72G	1830±50	1820	(3)	06*6" *8"



MATERIAL LIST :

NO.	P/NAME	DESCRIPTION	Q' TY
1	WIRE	UL2725 28AWG(7/0.12 TC)*1P+24AWG(7/0.20 TC)*2C+AL+1(TC)+ B(16*4/0.10 TC) OD:5.0±0.15 BLACK(B792) 2.0 (CHINGLUNG)	1
2	PLUG	USB"A" TYPE MALE GOLD PLATED SHORT TYPE	1
3	PLUG	USB"A" TYPE FEMALE GOLD PLATED W/TINPLATE	1
4	PVC	45P BLACK (B792)PVC	12g
5	PACKAGE	1PCE/PE BAG:06*A"*B"+ P/N STICKER	1

P/N STICKER

MOLD TOOL NO		<small>THE INFORMATION CONTAINED HEREIN IS THE PROPRIETARY INFORMATION OF RR BUSINESS VENTURES, LLC. THE POSSESSOR AGREES TO MAINTAIN THIS DOCUMENT IN CONFIDENCE, NOT REPRODUCE IT OR COPY IT, AND NOT TO REVEAL OR PUBLISH IT IN WHOLE OR PART. COPYRIGHT © 2019</small>			DRAWN BY
USB AM A110-557-001		SCALE	UNIT	REV	Marcos
USB AF A110-558-001		MM	M	CHECKED BY	
FILE NAME	CUSTOMER			CONFIRMED BY	
OW0803037				CHECKED BY	
DATE	CUSTOMER P/N			APPROVED BY	
14/08/25	RR-AAR04-XXG				

RoHS