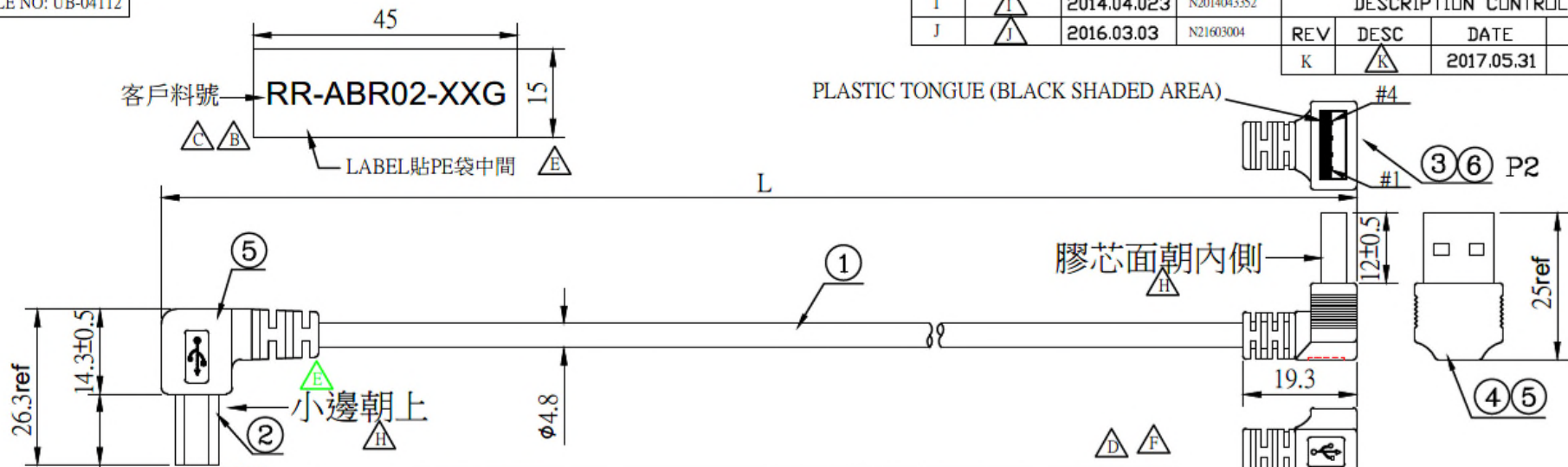


FILE NO: UB-04112

I	⚠	2014.04.023	N2014043352	DESCRIPTION CONTROL			
J	⚠	2016.03.03	N21603004	REV	DESC	DATE	APP
K	⚠			K	⚠	2017.05.31	



CUSTOMER P/N**	L±T	M	PE袋	TIE
RR-ABR02-14G	355±15	0.37	PE BAG:3"*8"*0.06MM	
RR-ABR02-04G	100±15	0.12	PE BAG:3"*8"*0.06MM	
RR-ABR02-12G	305±15	0.32	PE BAG:3"*8"*0.06MM	
RR-ABR02-24G	609±15	0.61	PE BAG:5"*6"*0.06MM	80*1
RR-ABR02-72G	1829±30	1.83	PE BAG:6"*8"*0.06MM	120*1

△	*	220030000363	TIE-A-BK10	⚠	***	MM
	*	390	LABEL:"RR-ABR02-XX"45*15MM	⚠	1	PCS
	*	120020000001	CARTON:46*30*25CM		A/R	PCS
	*	120020000001	PE BAG:30"*28"*0.08MM		A/R	PCS
	*	390	PE BAG:L"*W"*0.06MM		1	PCS
P1	6	120020000001	PE-5321		3	G
P2	5	120010000031	PVC-BK10/50		13.3	G
	4	220	SOL-WIRE-FULL-TIN-1.0		1	G
	3	110081304129	USB-A-P<WHITE> (一件式)<鐵殼鍍金>		1	PCS
	2	110081304104	USB-B-P<WHITE> (一件式)<短型<鐵殼鍍金>		1	PCS
	1	1303041100001	UL2725 (1P+2C)+AB BK10 OD:4.8MM (28/24USB線材)<REV:2.0>(指定聯穎)	⚠	L	M
	NG	PART NO	DESCRIPTION		QTY	UNIT

RoHS COMPLIANT



THE INFORMATION CONTAINED HEREIN IS THE PROPRIETARY INFORMATION OF RR BUSINESS VENTURES, LLC. THE POSSESSOR AGREES TO MAINTAIN THIS DOCUMENT IN CONFIDENCE, NOT REPRODUCE IT OR COPY IT, AND NOT TO REVEAL OR PUBLISH IT IN WHOLE OR PART. COPYRIGHT © 2019

P1	PIN ASSIGNMENT	P2
1	RED	1
2	WHITE	2
3	GREEN	3
4	BLACK	4
S	BRAID	S



ITEM: RR-ABR02-XXG	REV
	K

DRAW, BY: 鍾有涓	SCALE: NONE	DATE: 2008-01-18
CHECK, BY:	CUSTOMER: C331 (陸鴻)	PAGE: 1/1
APP, BY:	CUSTOMER P/N: RR-ABR02-XXG	

ALL DIMENSIONS IN mm