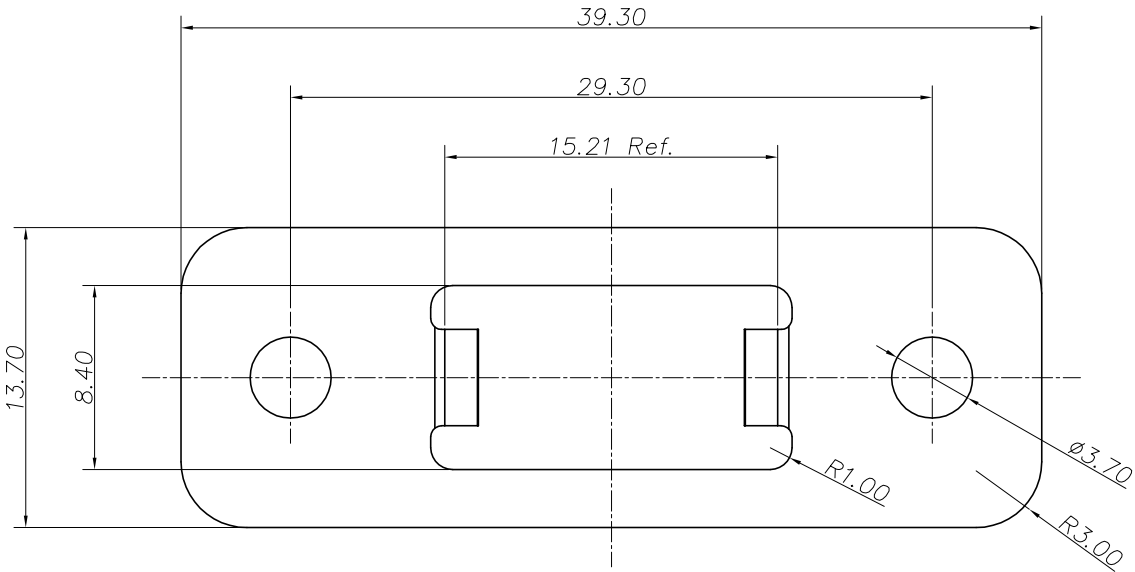


APPROVAL

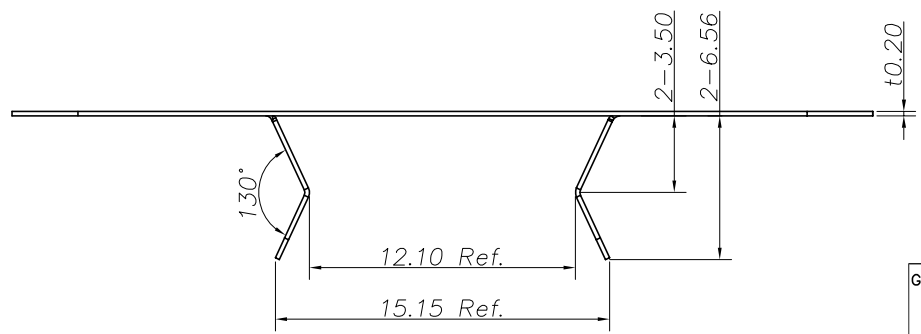
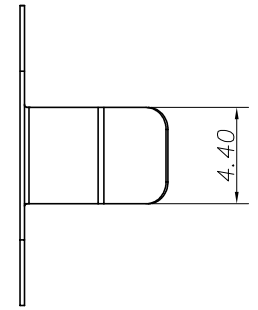
REV.	DESCRIPTION	BY/DATE	CHECK/DATE	APPROVED/DATE
1.0	Ori	Danica Nov,07,18		


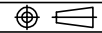


- Notes:
- 1) Material : SUS304 T=0.20mm To Passivate Per ASTM A967
 - 2) Product Must Conform To RoHS& REACH,2011/65/EU(RoHS2.0)
 - 3) QC Dimension Check

- Critical
- ☒ Major
- ☐ Minor

RoHS



General Tolerance	Angle Tolerance	Dwg	Date	
.X ±0.30	.X° ±1.0°	Danica Nov,07,18	Date	
.XX ±0.20	.XX° ±0.5°	Design	Date	Item
.XXX ±0.10	.XXX° ±0.2°	Danica Nov,07,18	Date	
SHEET 1/1		CHK	Date	USB A Female Metal Plate
FINISH See Notes				
Scale 4 : 1	Unit: mm	APPR	Date	Dwg. No. AXXX
				SIZE A4
				Part No. AXXX
				REV 1.0