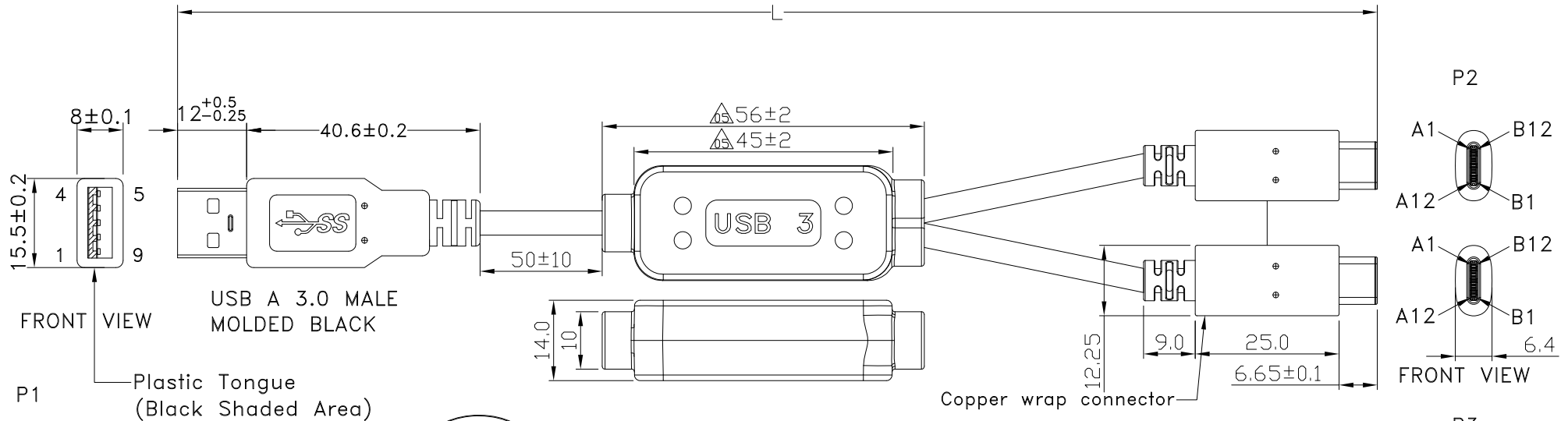


Note:

1.Type C AB面接點需跟圖面一致.

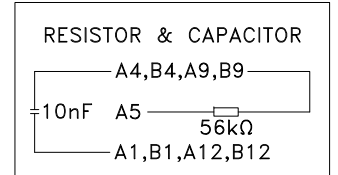
REV	ECN#	DESCRIPTION OF REVISION	DRAW BY DATE	CHECK BY DATE	APPROVE BY DATE
06	ECN-200510	RR-AM-YH-CX2-XXGRC=>RR-AM-YH-CSX2-XXGRC	Lucas 05/25/20	Lucas 05/25/20	Ray 05/25/20



GTC  
DOC.CENTER.ISSUE  
MAY.25.2020  
ONLY FOR  
RELEASE

P/N	LENGTH
RR-AM-YH-CSX2-42GRC	1067 <sup>+40</sup> <sub>-0</sub>
RR-AM-YH-CSX2-66GRC	1676 <sup>+50</sup> <sub>-0</sub>
RR-AM-YH-CSX2-78GRC	1980 <sup>+60</sup> <sub>-0</sub>

PIN OUT		
P1	P2	P3
1 RED	A4, B4, A9, B9	A4, B4, A9, B9
2 WHITE	A7	A7
3 GREEN	A6	A6
4 BLACK	A1, B1, A12, B12	A1, B1, A12, B12
5 BLUE(YELLOW MYLAR)	A3	A3
6 YELLOW(YELLOW MYLAR)	A2	A2
7 DRAIN		
8 BLUE(GREEN MYLAR)	B10	B10
9 YELLOW(GREEN MYLAR)	B11	B11
SHELL DRAIN+BRAID	SHELL	SHELL



TITLE						DRAWING NUMBER			REV.
USB 3.0 A TYPE MALE TO DOUBLE USB TYPE C MALE						RR-AM-YH-CSX2-XXGRC			06
THIRD ANGLE PROJECTION	SIZE	SCALE	DRAW / DATE	CHECK / DATE	APPROVE / DATE	TOLERANCES	UNIT	SHEET	
DD NOT SCALE DRAWINGS	B	1:1	Lucas 03/10/20	Lucas 03/10/20	Ray 03/10/20	X.X ± 0.5 X.XX ± 0.2	X.XXX ± 0.05 ANGLES ± 1°	mm 1/3	

THE INFORMATION CONTAINED HEREIN IS THE PROPRIETARY INFORMATION OF RR BUSINESS VENTURES, LLC. THE POSSESSOR AGREES TO THE FOLLOWING:

1. MAINTAIN THIS DOCUMENT IN CONFIDENCE
2. NOT TO REPRODUCE OR COPY IT
3. NOT TO REVEAL OR PUBLISH IT IN WHOLE OR IN PART

COPYRIGHT © 2019

1

2

3

4

REV	ECN#	DESCRIPTION OF REVISION	DRAW BY DATE	CHECK BY DATE	APPROVE BY DATE
06	ECN-200510	RR-AM-YH-CX2-XXGRC=>RR-AM-YH-CSX2-XXGRC	Lucas 05/25/20	Lucas 05/25/20	Ray 05/25/20

\*\*\*CONSTRUCTION:

1.CABLE: \* UL2725 (1P/30#+EAM)\*2+(1P/30#)+(2C/24#)+AEB(AL)65% OD:5.0mm  
BLACK PVC JACKET.

\*\*\*CONNECTOR:

2.USB A/M: \* USB A "3.0" TYPE 9PIN MALE SOLDER TYPE. (NEW-CONN P/N:06801508M5CA)

- \* PINS: 30u GOLD PLATED OVER NICKEL.
- \* INSULATOR: BLUE COLOR P.B.T UL 94V-0 RATED.
- \* SHELL: STEEL WITH GOLD FLASH .
- \* MOLDED: BLACK PVC 45P.

3.USB C/M: \* USB TYPE C MALE SOLDER TYPE.

- \* PINS: 30u GOLD PLATED OVER NICKEL.
- \* INSULATOR: BLACK THERMOPLASTIC UL 94V-0.
- \* SHELL: STEEL WITH GOLD FLASH.
- \* RESISTOR(56KΩ) AND CAPACITOR.
- \* MOLDED: BLACK PVC 45P.

4.SR: \* PCB,UL 94V-0. MOLDED: BLACK PVC 45P.

5.TEST: \* CT: 2 ohm IS: 5M ohm DC300V 0.1S

6.PACKING: \* PACK EACH CABLE IN A POLY BAG AND 25PCS IN A POLY BAG.

7.MATERIAL: \* MATERIAL WITH RoHS GRADE.



TITLE USB 3.0 A TYPE MALE TO DOUBLE USB TYPE C MALE					DRAWING NUMBER RR-AM-YH-CSX2-XXGRC			REV. 06
--	--	--	--	--	---------------------------------------	--	--	------------

DO NOT SCALE DRAWINGS	B	1:1	Lucas 03/10/20	Lucas 03/10/20	Ray 03/10/20	X.X ± 0.5 X.XX ± 0.2	X.XXX ± 0.05 ANGLES ± 1°	mm	2/3
THIRD ANGLE PROJECTION	SIZE	SCALE	DRAW / DATE	CHECK / DATE	APPROVE / DATE	TOLERANCES		UNIT	SHEET

THE INFORMATION CONTAINED HEREIN IS THE PROPRIETARY INFORMATION OF RR BUSINESS VENTURES, LLC. THE POSSESSOR AGREES TO THE FOLLOWING

1. MAINTAIN THIS DOCUMENT IN CONFIDENCE
2. NOT TO REPRODUCE OR COPY IT
3. NOT TO REVEAL OR PUBLISH IT IN WHOLE OR IN PART

COPYRIGHT © 2019

1

2

3

4

1

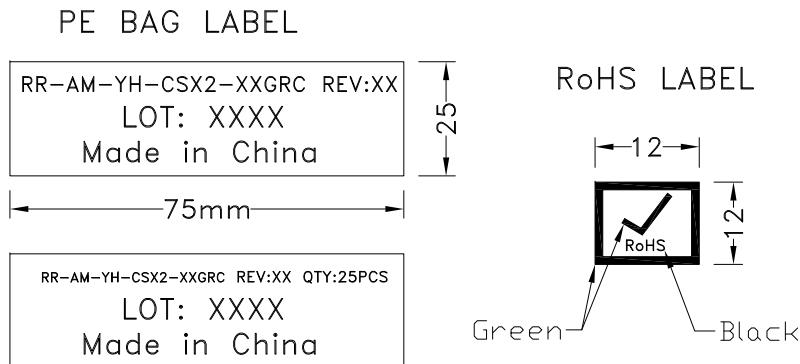
2

3

4

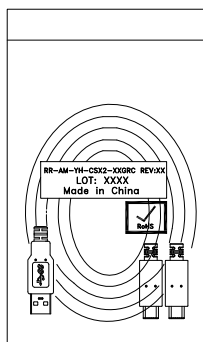
REV	ECN#	DESCRIPTION OF REVISION	DRAW BY DATE	CHECK BY DATE	APPROVE BY DATE
06	ECN-200510	RR-AM-YH-CX2-XXGRC=>RR-AM-YH-CSX2-XXGRC	Lucas 05/25/20	Lucas 05/25/20	Ray 05/25/20

P/N	LENGTH(mm)	PE BAG(Inch)	PACKAGE
RR-AM-YH-CSX2-42GRC	1067 $\pm$ <sub>0</sub> <sup>40</sup>	5.5*10	(1)
RR-AM-YH-CSX2-66GRC	1676 $\pm$ <sub>0</sub> <sup>50</sup>	5.5*10	(2)
RR-AM-YH-CSX2-78GRC	1980 $\pm$ <sub>0</sub> <sup>60</sup>	5.5*10	(2)

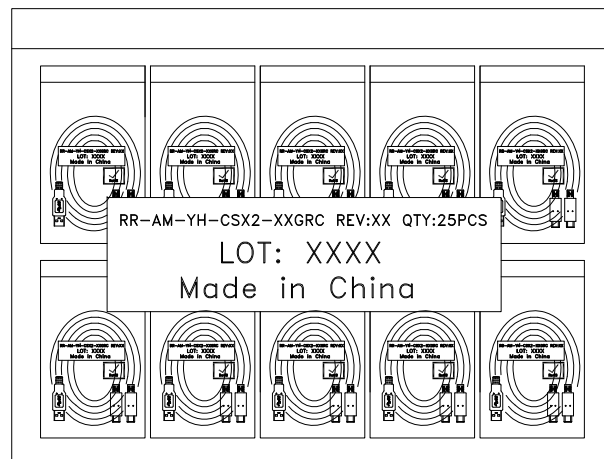
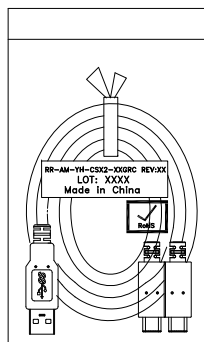


NOTES:PACK EACH CABLE IN A POLY BAG AND 25PCS IN A POLY BAG.

PACK(1)



PACK(2)



TITLE: USB 3.0 A TYPE MALE TO DOUBLE USB TYPE C MALE  
 DRAWING NUMBER: RR-AM-YH-CSX2-XXGRC  
 REV.: 06

THIRD ANGLE PROJECTION	SIZE: B	SCALE: 1:1	DRAW / DATE: Lucas 03/10/20	CHECK / DATE: Lucas 03/10/20	APPROVE / DATE: Ray 03/10/20	TOLERANCES: X.X ± 0.5, X.XX ± 0.2, X.XXX ± 0.05, ANGLES ± 1°	UNIT: mm	SHEET: 3/3
------------------------	---------	------------	-----------------------------	------------------------------	------------------------------	--	----------	------------

THE INFORMATION CONTAINED HEREIN IS THE PROPRIETARY INFORMATION OF RR BUSINESS VENTURES, LLC. THE POSSESSOR AGREES TO THE FOLLOWING:

1. MAINTAIN THIS DOCUMENT IN CONFIDENCE
2. NOT TO REPRODUCE OR COPY IT
3. NOT TO REVEAL OR PUBLISH IT IN WHOLE OR IN PART

COPYRIGHT © 2019

1

2

3

4