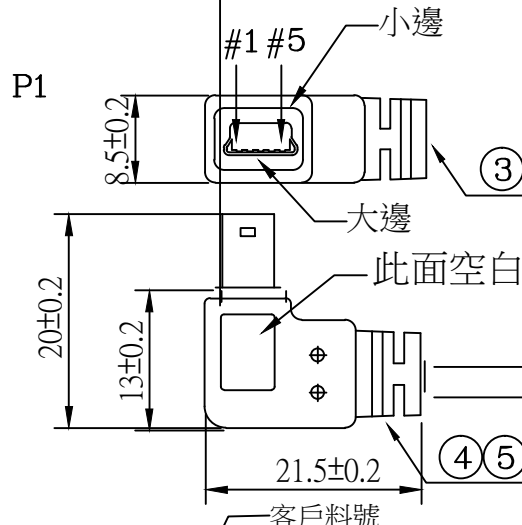


<注意P2端插頭成型後不能有搖動或晃動現象，需特別檢驗留意;>

E	△	2013-05-13	N2014043352
F	△	2015-08-24	N2015084921

DESCRIPTION CONTROL			
REV	DESC	DATE	ECN NO
G	△	17.09.27	

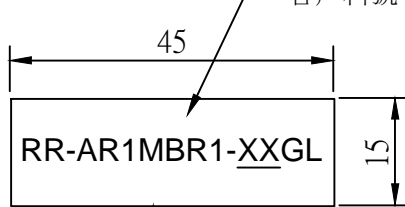
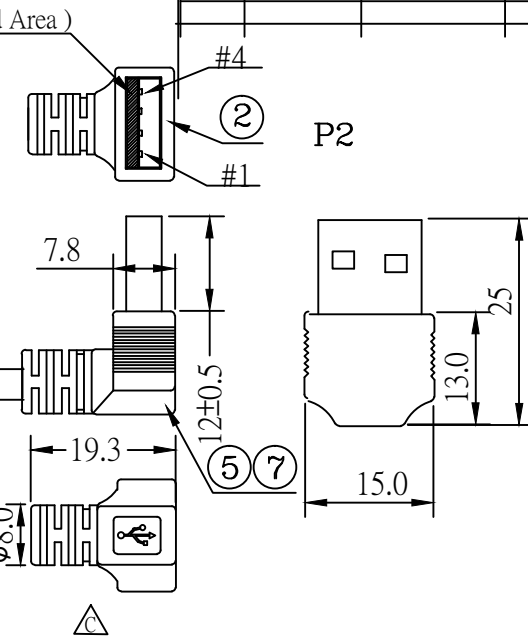


NOTE:

- 1.注意P1端插頭成型後不能有搖動或晃動現象，需特別檢驗留意;
2. P1端內模料指定用PVC成型; 外模指定用30P料成型;

<P1端外模指定用PVC 30P 料> △

此面空白,另一面LOGO" "



CUSTOMER P/N	Y-S P/N	L±T	M	TIE
RR-AR1MBR1-08GL	UB2001021L14448	203±15	0.223	
RR-AR1MBR1-14GL	UB2001021L24448	356±20	0.376	
RR-AR1MBR1-24GL	UB2001021L34448	610±20	0.63	80*1
RR-AR1MBR1-50GL	UB2001021L44448	1270±30	1.29	100*1

REF:UB01021-4424/ub01013-2668

貼PE袋中間(白底黑字)



*	390	LABEL:45*15MM"RR-AR4MBR1-XXG"	△	1	PCS
*	390	TIE-A-BK10		***	MM
*	390	CARTON:46*30*25CM		A/R	PCS
*	390	PE BAG:30"*28"*0.08MM		A/R	PCS
*	390	PE BAG:5"*6"*0.06MM		1	PCS
8	120010000116	PVC-BK10/30P	△	5.0	G
7	370	PVC-IN		3.0	G
6	120010000031	PVC-BK10/50P		5.0	G
5	200034000032	TUBE-HT-OD:1.0MM (薄型)		5*3	MM
4	210030000057	HI TEAMP TAPE:W:6MM		20*1	MM
3	210	MINI-USB-B-5PIN<BK> <短型一件式><鐵殼鍍金>		1	SET
2	110081304129	USB-A-P(WHITE)/ <一件式,短型><鐵殼鍍金>		1	SET
1	1303041100001	UL2725 (1P+2C)+AB BK10 OD:4.8MM (28/24USB線材)<REV:2.0>(指定聯穎)	△	L	M
NO	PART NO.	DESCRIPTION		QTY	UNIT

RoHS COMPLIANT

NOTE:

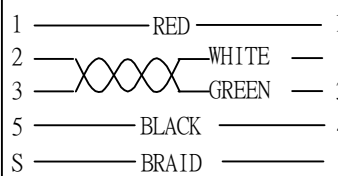
P1端內模料指定用PVC料成型; 外模指定用30P料成型; △

INNER MOLDING	A359KF	USB.A328KF
OUTER MOLDING	A360KF	USB.A329KF



THE INFORMATION CONTAINED HEREIN IS THE PROPRIETARY INFORMATION OF RR BUSINESS VENTURES, LLC. THE POSSESSOR AGREES TO MAINTAIN THIS DOCUMENT IN CONFIDENCE; NOT REPRODUCE IT OR COPY IT, AND NOT TO REVEAL OR PUBLISH IT IN WHOLE OR PART. COPYRIGHT © 2019

PIN ASSIGNMENT



DRAWN, BY: Yolanda	ITEM: UB2001021LX4448	REV: G
	SCALE: NONE	DATE: 2008.12.04
CHECKED, BY:	CUSTOMER: C33K (陸鴻)	PAGE: 1/1
APP'ED, BY:	CUSTOMER P/N: RR-AR1MBR1-XXGL	
ALL DIMENSIONS IN mm		