
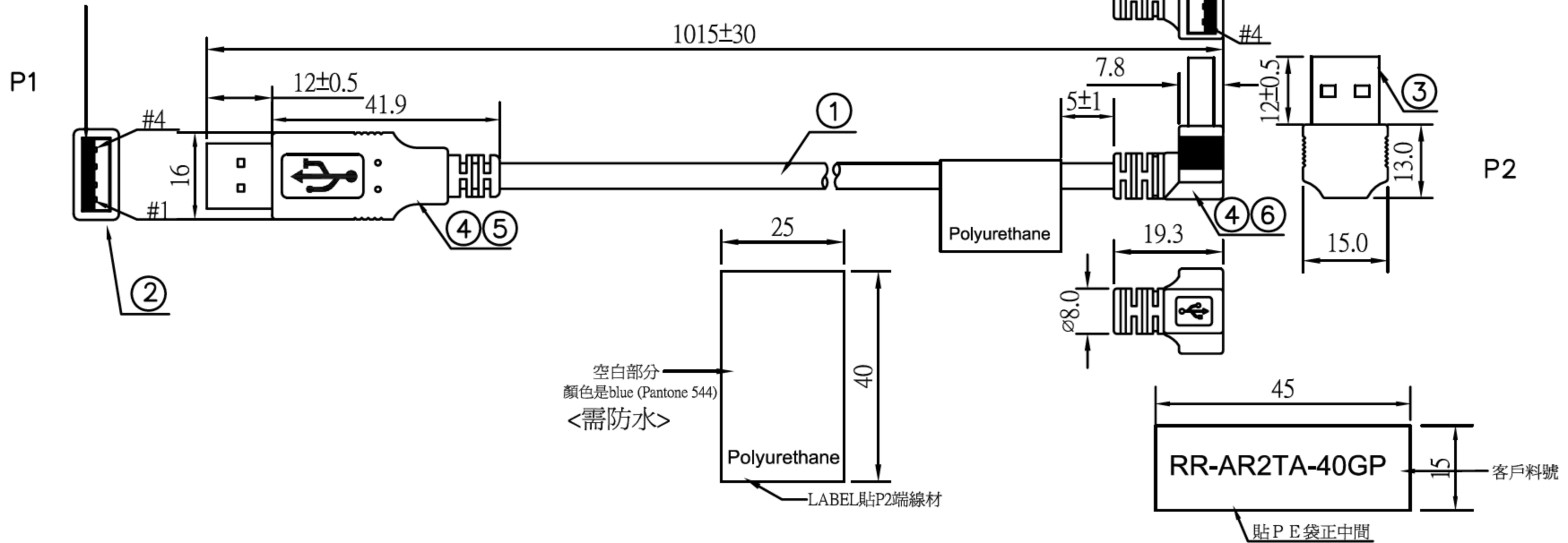


REV	DESC	DATE	ECN NO.
B		2012.03.23	N21203102

PLASTIC TONGUE (BLACK SHADED AREA)

P1 New Braid Ass'y Way

Plastic Tongue (Black Shaded Area)

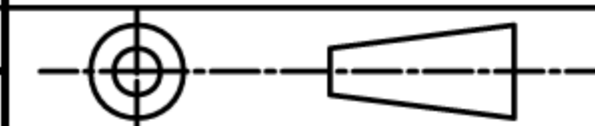
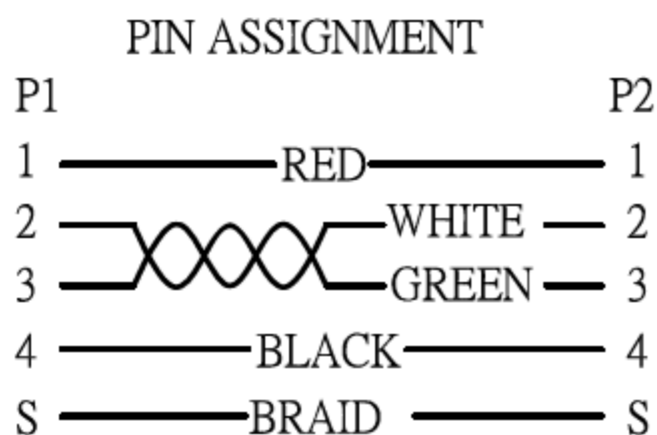


*	330010016543	LABEL: 40*25MM*Polyurethane* <藍底黑字>(需防水)	1	PCS
*	330010019231	LABEL:"RR-AR2TA-40GP"45*15MM	1	PCS
*	220030000363	TIE-A-BK	100*1	MM
*	310000000012	CARTON:46*30*25CM	A/R	PCS
*	300010000001	PE BAG:30"*28"*0.08MM	A/R	PCS
*	300030000193	PE BAG:5"*6"*0.06MM	1	PCS
6		SOL-WIRE-FULL-TIN-1.0	0.3	G
5	210010000328	FOIL-CU-8MM	26*1	MM
4	120010001069	TPE-BK10/50 <低煙無鹵>	13.5	G
3	110081304129	USB-A-P<WH><一件式,短型,鐵殼鍍金>	1	SET
2	180-041033-C	USB-A-P<WH>/L <鐵殼鍍金>	1	SET
1	1303041101771	UL2725,(1P+2C)+AB,BK10, □D:4.8(28/24)<REV:2.0><低煙無鹵>	1.02	M
NC	TYPE	DESCRIPTION	QTY	UNIT

RoHS COMPLIANT

NOTE:
REF UB01021-4661&UB01013-2669
有打樣

www.USBFireWire.com



ITEM: UB2001011L01564	REV: B
DRAW,BY: 劉石壽	SCALE: FREE
CHECK,BY:	DATE: 2011-07-26
APP,BY:	CUSTOMER: C331<陸鴻>
	PAGE: 1/2
	CUSTOMER P/N: RR-AR2TA-40GP

ALL DIMENSIONS IN mm