

1

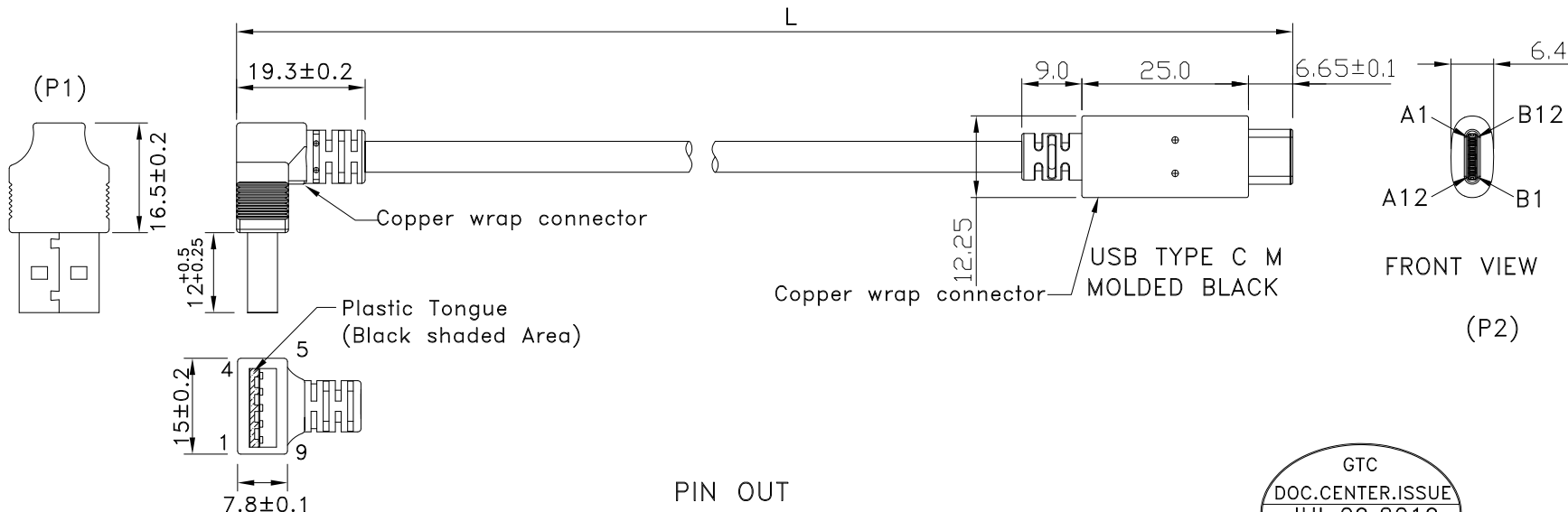
2

3

4

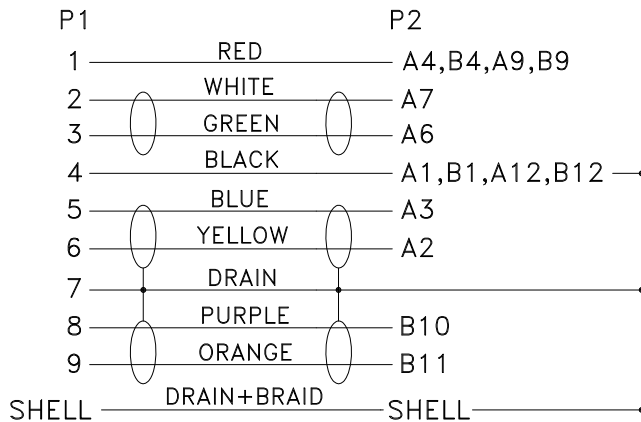
REV	ECN#	DESCRIPTION OF REVISION	DRAW BY DATE	CHECK BY DATE	APPROVE BY DATE
A4	ECN-190631	Increase drawing requirements	Lucas 07/04/19	Lucas 07/04/19	Ray 07/04/19

Note:
 1.Type C AB面接點需跟圖面一致.

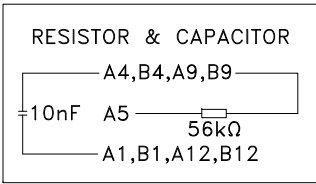


USB3.0 A MALE
 RIGHT ANGLE UP
 MOLDED BLACK

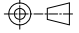
PIN OUT




GTC
 DOC.CENTER.ISSUE
 JUL.09.2019
 ONLY FOR
 RELEASE



P/N	LENGTH
RR-AUCS-05GRC	127 ⁺²⁰ ₋₀
RR-AUCS-10GRC	255 ⁺²⁰ ₋₀
RR-AUCS-15GRC	381 ⁺³⁰ ₋₀
RR-AUCS-25GRC	635 ⁺³⁰ ₋₀
RR-AUCS-40GRC	1016 ⁺⁴⁰ ₋₀

TITLE USB3.0 AM RIGHT ANGLE UP TO USB3.1 C TYPE MALE					DRAWING NUMBER RR-AUCS-XXGRC			REV. A4			
	B	1:1	Lucas 11/27/15	Ray 11/27/15	Ray 11/27/15	X.X X.XX	± 0.5 ± 0.2	X.XXX ANGLES	± 0.05 ± 1°	mm	1/3
THIRD ANGLE PROJECTION	SIZE	SCALE	DRAW / DATE	CHECK / DATE	APPROVE / DATE	TOLERANCES		UNIT	SHEET		



USB FIREWIRE.com

THE INFORMATION CONTAINED HEREIN IS THE PROPRIETARY INFORMATION OF RR BUSINESS VENTURES, LLC. THE POSSESSOR AGREES TO THE FOLLOWING:
 1. MAINTAIN THIS DOCUMENT IN CONFIDENCE
 2. NOT TO REPRODUCE OR COPY IT
 3. NOT TO REVEAL OR PUBLISH IT IN WHOLE OR IN PART

COPYRIGHT © 2019

1

2

3

4

1

2

3

4

REV	ECN#	DESCRIPTION OF REVISION	DRAW BY DATE	CHECK BY DATE	APPROVE BY DATE
A4	ECN-190631	Increase drawing requirements	Lucas 07/04/19	Lucas 07/04/19	Ray 07/04/19

***CONSTRUCTION:

1.CABLE: * UL2725 (1P/30#+EAM)*2+(1P/30#)+(2C/24#)+AEB(AL)65% OD:5.0mm
BLACK PVC JACKET.

***CONNECTOR:

2.USB A/M: * USB A "3.0" TYPE 9PIN MALE SOLDER TYPE. (SWEETRAY P/N:CHUSB3AM03B)

- * PINS: 30u GOLD PLATED OVER NICKEL.
- * INSULATOR: BLUE COLOR P.B.T UL 94V-0 RATED.
- * SHELL: STEEL WITH GOLD FLASH .
- * MOLDED: BLACK PVC 45P.

3.USB C/M: * USB TYPE C MALE SOLDER TYPE.

- * PINS: 30u GOLD PLATED OVER NICKEL.
- * INSULATOR: BLACK THERMOPLASTIC UL 94V-0.
- * SHELL: STEEL WITH GOLD FLASH.
- * RESISTOR(56KΩ) AND CAPACITOR.
- * MOLDED: BLACK PVC 45P.

4.TEST: * CT: 2 ohm IS: 5M ohm DC300V 0.1S

5.PACKING: * PACK EACH CABLE IN A POLY BAG AND 25PCS IN A POLY BAG.

6.MATERIAL: * MATERIAL WITH RoHS GRADE.



TITLE USB3.0 AM RIGHT ANGLE UP TO USB3.1 C TYPE MALE					DRAWING NUMBER RR-AUCS-XXGRC			REV. A4
	B	1:1	Lucas 11/27/15	Ray 11/27/15	Ray 11/27/15	X.X ± 0.5 X.XX ± 0.2	X.XXX ± 0.05 ANGLES ± 1°	mm 2/3
THIRD ANGLE PROJECTION	SIZE	SCALE	DRAW / DATE	CHECK / DATE	APPROVE / DATE	TOLERANCES		UNIT SHEET

THE INFORMATION CONTAINED HEREIN IS THE PROPRIETARY INFORMATION OF RR BUSINESS VENTURES, LLC. THE POSSESSOR AGREES TO THE FOLLOWING

1. MAINTAIN THIS DOCUMENT IN CONFIDENCE
2. NOT TO REPRODUCE OR COPY IT
3. NOT TO REVEAL OR PUBLISH IT IN WHOLE OR IN PART

COPYRIGHT © 2019

1

2

3

4

1

2

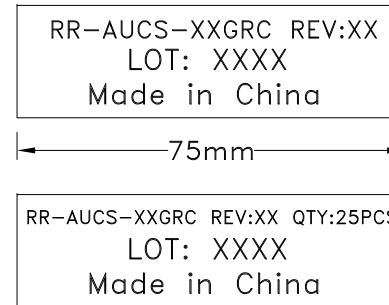
3

4

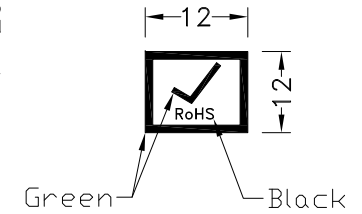
REV	ECN#	DESCRIPTION OF REVISION	DRAW BY DATE	CHECK BY DATE	APPROVE BY DATE
A4	ECN-190631	Increase drawing requirements	Lucas 07/04/19	Lucas 07/04/19	Ray 07/04/19

P/N	LENGTH(mm)	PE BAG(Inch)	PACKAGE
RR-AUCS-05GRC	127 ⁺²⁰ ₋₀	5.5"*10	(1)
RR-AUCS-10GRC	255 ⁺²⁰ ₋₀	5.5"*10	(2)
RR-AUCS-15GRC	381 ⁺³⁰ ₋₀	5.5"*10	(2)
RR-AUCS-25GRC	635 ⁺³⁰ ₋₀	5.5"*10	(2)
RR-AUCS-40GRC	1016 ⁺⁴⁰ ₋₀	5.5"*10	(2)

PE BAG LABEL

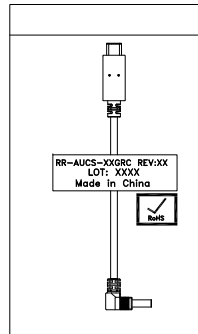


RoHS LABEL

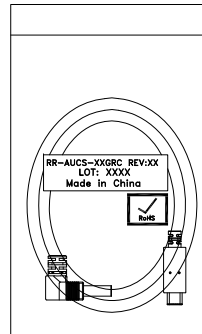


NOTES:PACK EACH CABLE IN A POLY BAG AND 25PCS IN A POLY BAG.

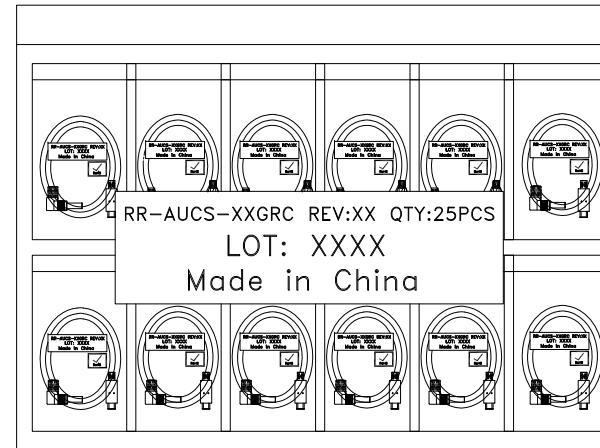
PACK(1)



PACK(2)



GTC
 DOC.CENTER.ISSUE
 JUL.09.2019
 ONLY FOR
 RELEASE



TITLE					DRAWING NUMBER			REV.	
USB3.0 AM RIGHT ANGLE UP TO USB3.1 C TYPE MALE					RR-AUCS-XXGRC			A4	
DO NOT SCALE DRAWINGS	B	1:1	Lucas 11/27/15	Ray 11/27/15	Ray 11/27/15	X.X ± 0.5 X.XX ± 0.2	X.XXX ± 0.05 ANGLES ± 1°	mm	3/3
THIRD ANGLE PROJECTION	SIZE	SCALE	DRAW / DATE	CHECK / DATE	APPROVE / DATE	TOLERANCES		UNIT	SHEET

USB FIREWIRE.com

THE INFORMATION CONTAINED HEREIN IS THE PROPRIETARY INFORMATION OF RR BUSINESS VENTURES, LLC. THE POSSESSOR AGREES TO THE FOLLOWING

1. MAINTAIN THIS DOCUMENT IN CONFIDENCE
2. NOT TO REPRODUCE OR COPY IT
3. NOT TO REVEAL OR PUBLISH IT IN WHOLE OR IN PART

COPYRIGHT © 2019

1

2

3

4