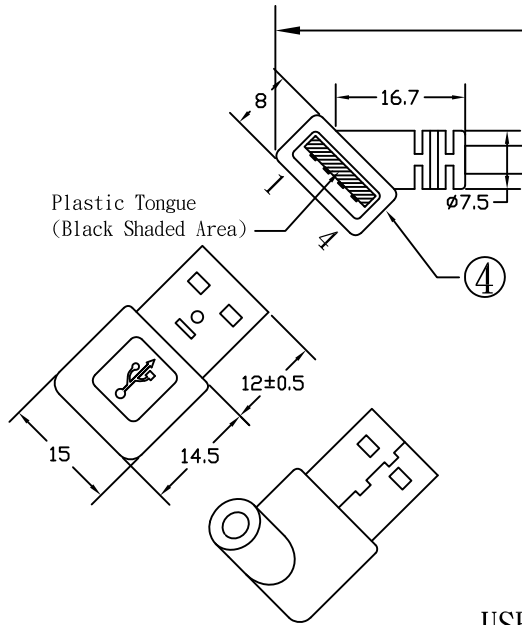
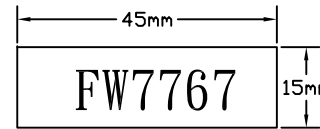
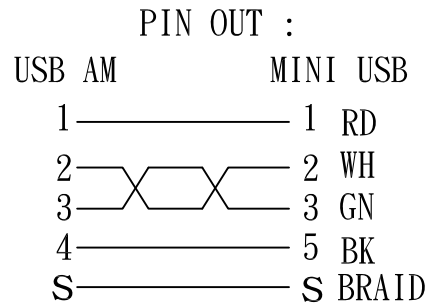


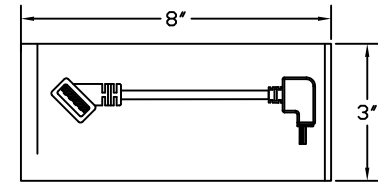
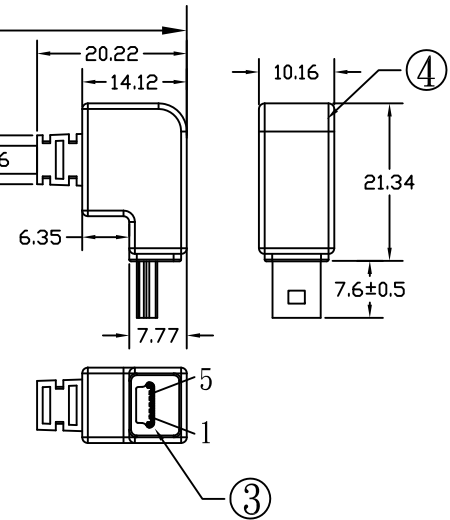
CHANGE VERSION	REMARKS	C	
A	14/11/26	REL	
B			



P/N	LENGTH	PE BAG
FW7767	117 ⁺¹⁰ ₋₀	06*3"*8"



P/N STICKER


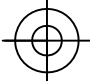
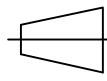


NOTE: IMPORTANT OF HOLDING LENGTH & ORIENTATION

RoHS

MATERIAL LIST :

NO.	P/NAME	DESCRIPTION	Q' TY
1	WIRE	UL2725 28AWG(7/0.12 TC)*1P+24AWG(7/0.20 TC)*2C+AL+1(TC)+B(16*4/0.10 TC) OD:5.0±0.15 BLACK(B792) 2.0 (COPARTNER)	1
2	PLUG	USB"A" TYPE MALE GOLD PLATED SHORT TYPE	1
3	PLUG	MINI USB"B"TYPE 5PIN MALE GOLD PLATED	1
4	PVC	45P BLACK(B792)PVC	12g
5	PACKAGE	1PCE/PE BAG:06*A"*B"+ P/N STICKER	1

MOLD TOOL NO.				DRAWN BY	Marcos
	<small>THE INFORMATION CONTAINED HEREIN IS THE PROPRIETARY INFORMATION OF UR BUSINESS VENTURES, LLC. THE POSSESSOR AGREES TO THE FOLLOWING: 1. MAINTAIN THIS DOCUMENT IN CONFIDENCE 2. NOT TO REPRODUCE OR COPY IT 3. NOT TO REVEAL OR PUBLISH IT IN WHOLE OR IN PART</small> COPYRIGHT © 2019			CHECKED BY	
	 	SCALE	UNIT	REV	CONFIRMED BY
	FILE NAME	CUSTOMER	MM	A	
	OW1411023				CHECKED BY
	DATE	CUSTOMER P/N			APPROVED BY
	14/11/26				