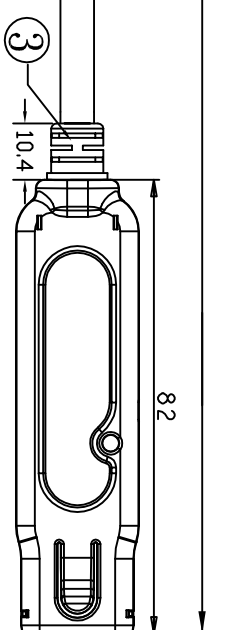
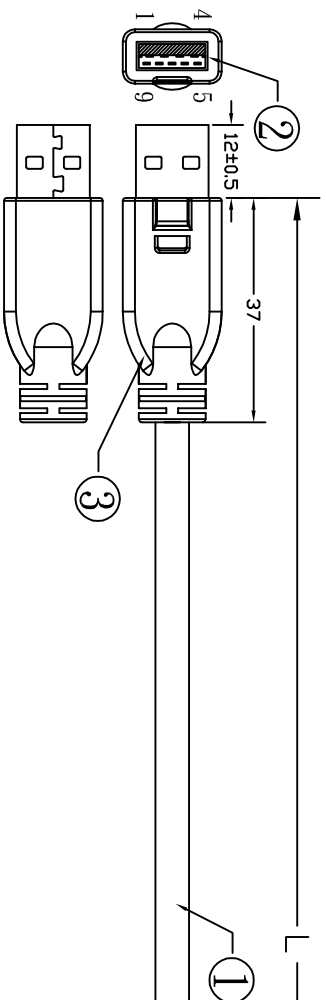


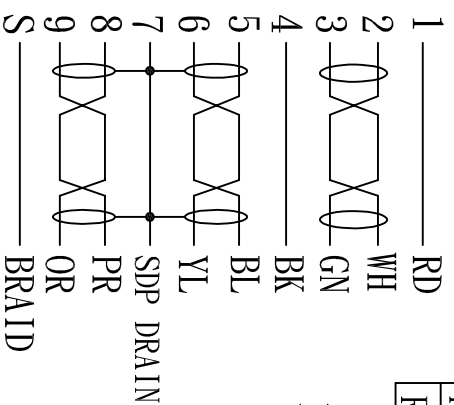
CHANGE VERSION	REMARKS	C
A	14/11/10 REL	D
B	14/12/22 ADD P/N	E



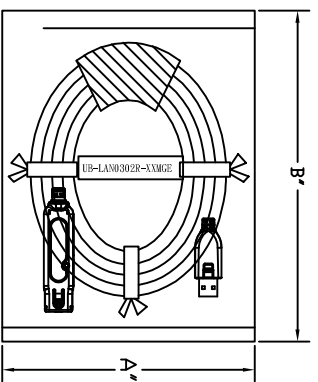
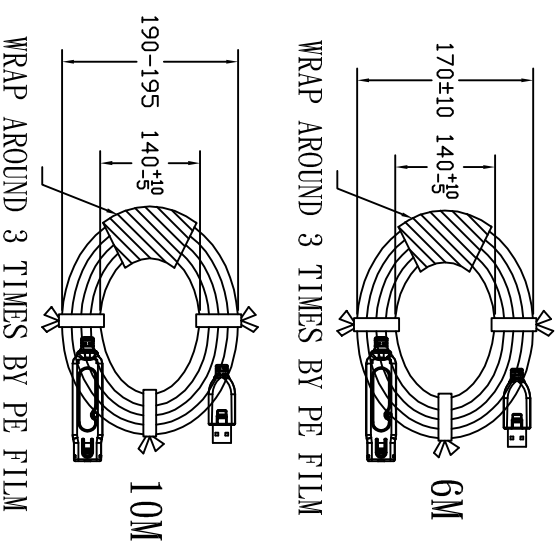
PIN OUT:
 USB3.0 AM OPEN

P/N	LENGTH	PE BAG
RR-USB3-EXT-20FTE	6000±60	06*8" *12"
RR-USB3-EXT-33FTE	10000±100	06*9" *13"

P/N LABEL: WHITE BASE BLACK WORD



RR-USB3-EXT-20FTE	15mm
RR-USB3-EXT-33FTE	15mm



ROHS

MATERIAL LIST :

NO.	P/NAME	DESCRIPTION	Q'TY
1	WIRE	USB3.0 UL2725 [(24AWG*2C+1+AL)+OD:1.95*3.3]*2C+(24AWG*(P+AL))+20AWG*2C+AL+B(24*10/0.12 TC COVER 95% MIN) OD:7.0±0.15 BLACK(B792) (COPARTNER)	1
2	PLUG	USB3.0 "A" TYPE MALE PIN=G/F	1
3	PVC	45P BLACK(B792)PVC	15g
4	PACKAGE	IPCE/PE BAG: 06*A"*B"+ P/N STICKER	1

MOLD TOOL NO.		SCALE		UNIT		REV	
USB3.0 AM A110-658-003 SR C130-385-001		1:1		MM		B	
FILE NAME	OM1411004	CUSTOMER		CHECKED BY	Marcos	CONFIRMED BY	
DATE	14/12/22	CUSTOMER P/N		CHECKED BY		APPROVED BY	



THE INFORMATION CONTAINED HEREIN IS THE PROPRIETARY INFORMATION OF RR BUSINESS VENTURES, LLC. THE POSSESSOR AGREES TO MAINTAIN THIS DOCUMENT IN CONFIDENCE, NOT REPRODUCE IT OR COPY IT, AND NOT TO REVEAL OR PUBLISH IT IN WHOLE OR PART. COPYRIGHT © 2019